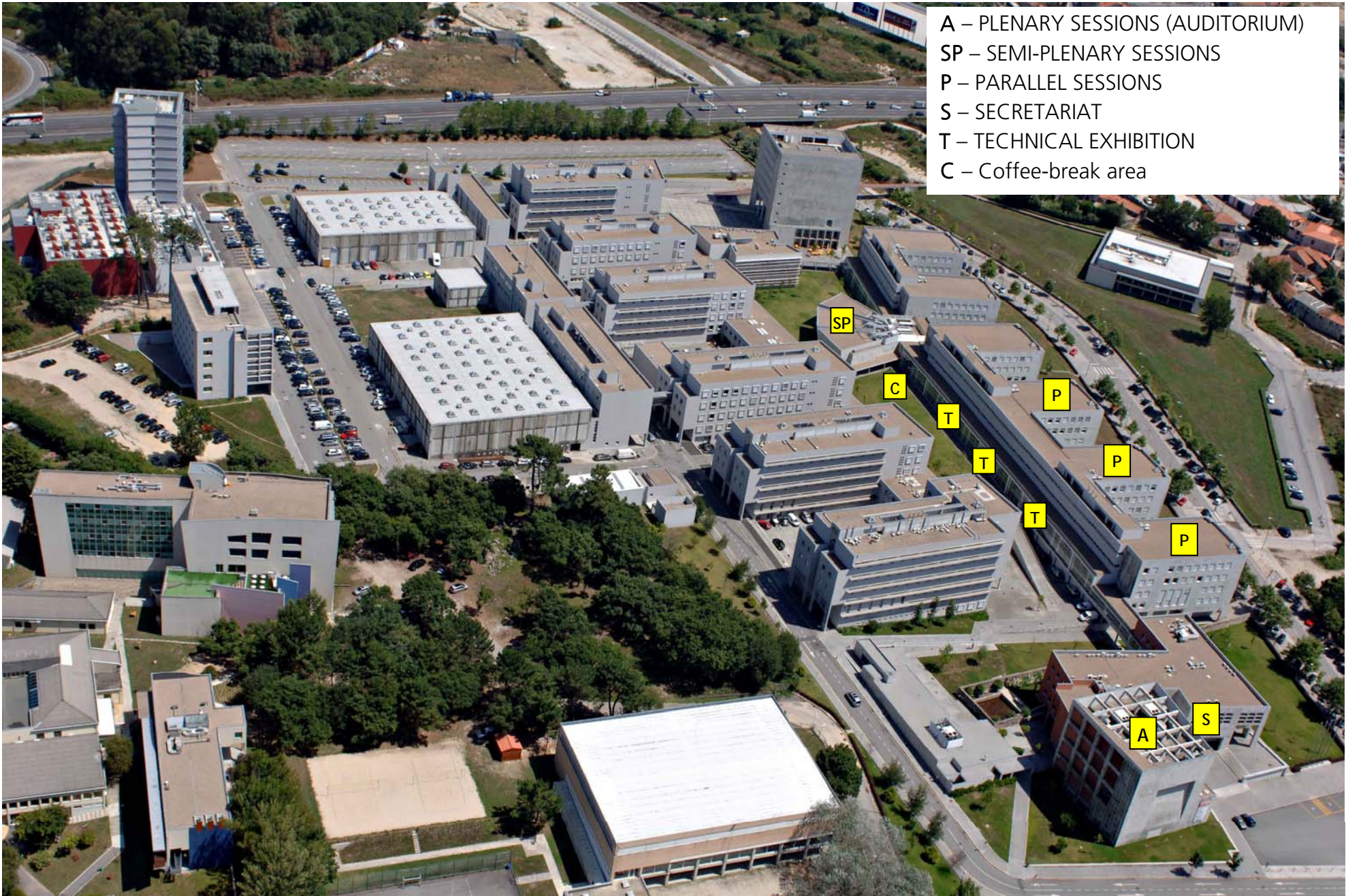
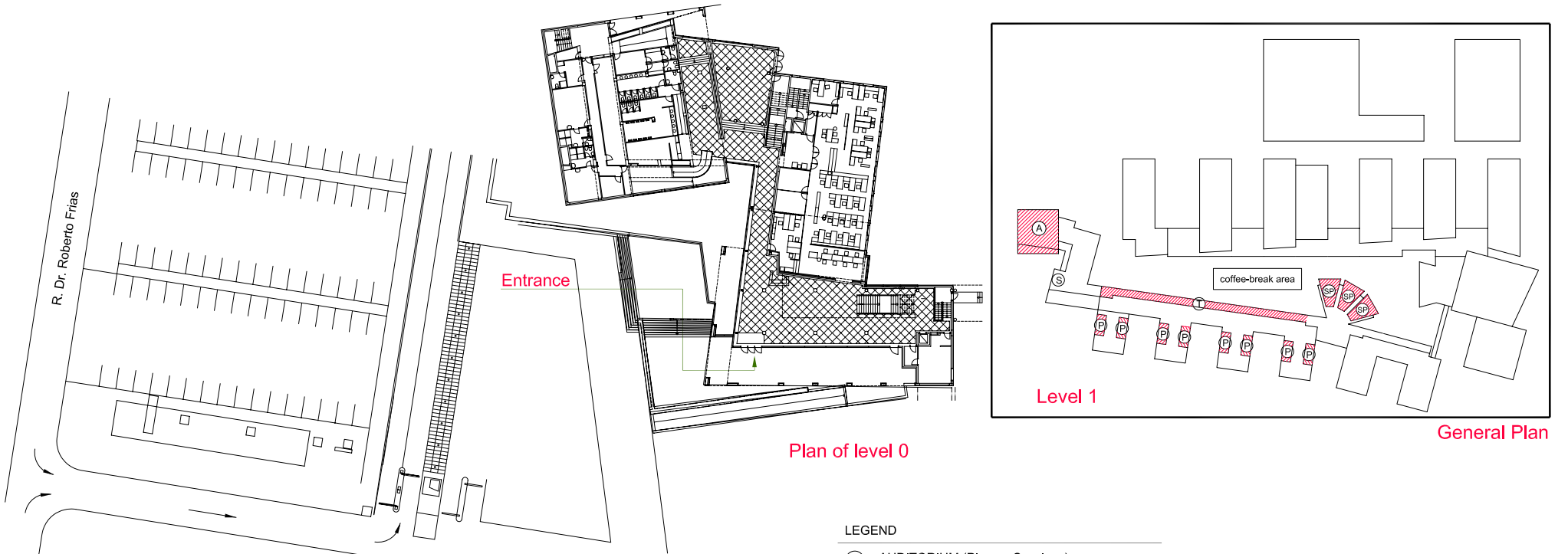


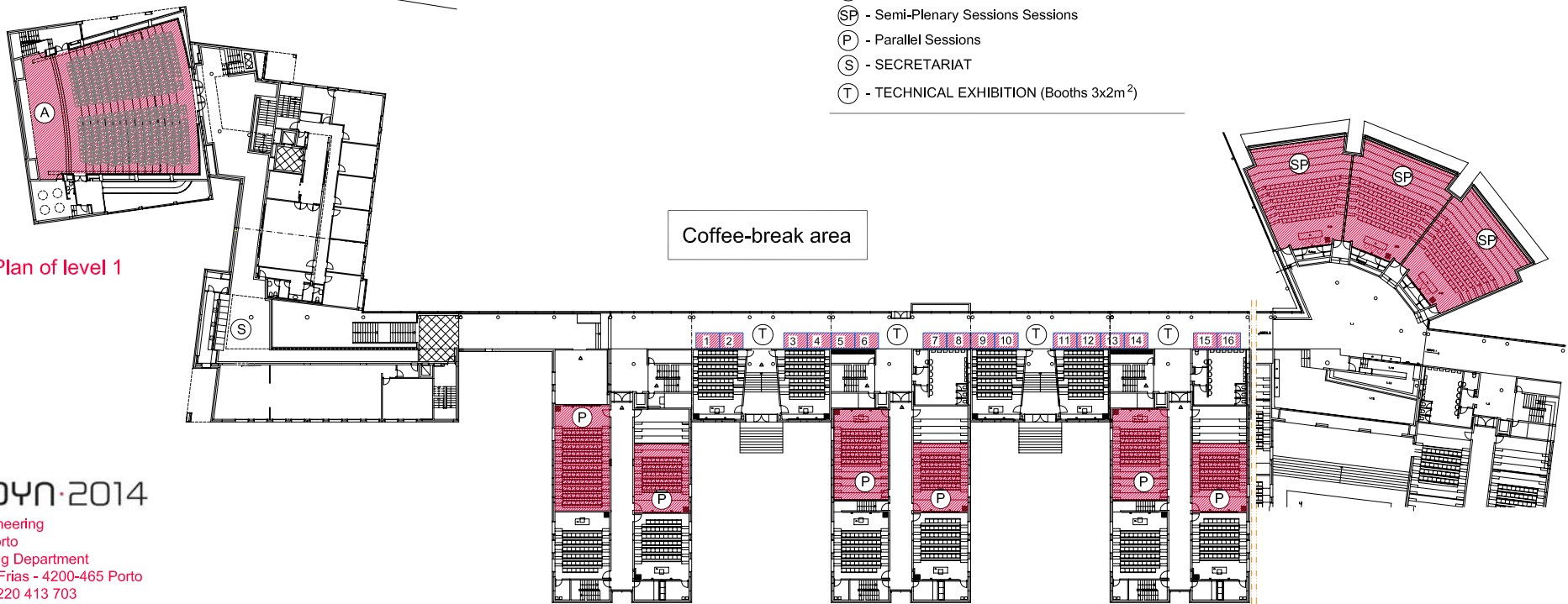
- A – PLENARY SESSIONS (AUDITORIUM)
- SP – SEMI-PLENARY SESSIONS
- P – PARALLEL SESSIONS
- S – SECRETARIAT
- T – TECHNICAL EXHIBITION
- C – Coffee-break area





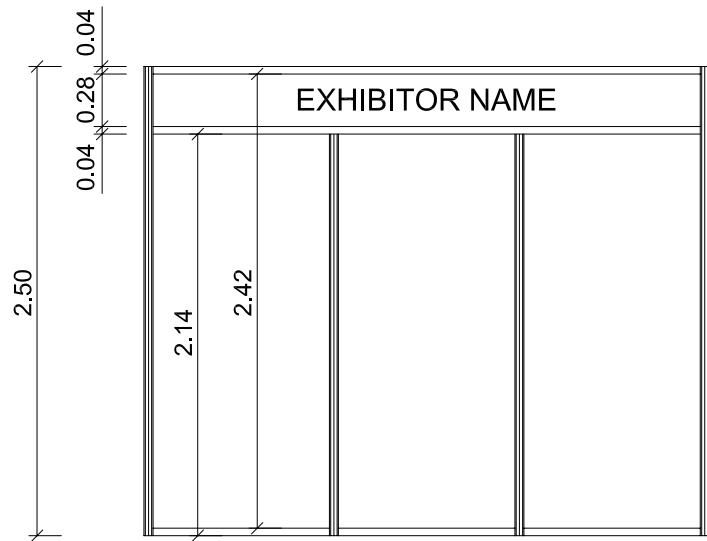
LEGEND

- (A) - AUDITORIUM (Plenary Sessions)
- (SP) - Semi-Plenary Sessions Sessions
- (P) - Parallel Sessions
- (S) - SECRETARIAT
- (T) - TECHNICAL EXHIBITION (Booths 3x2m²)

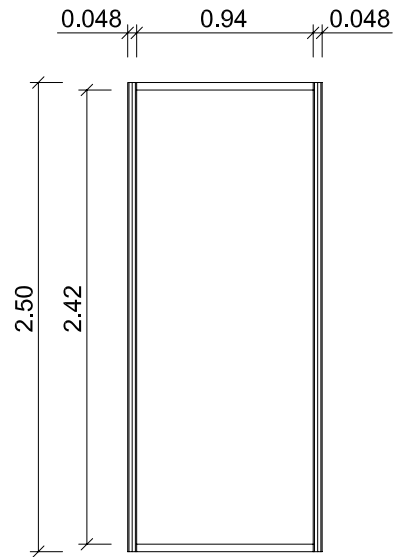


EURODYN 2014

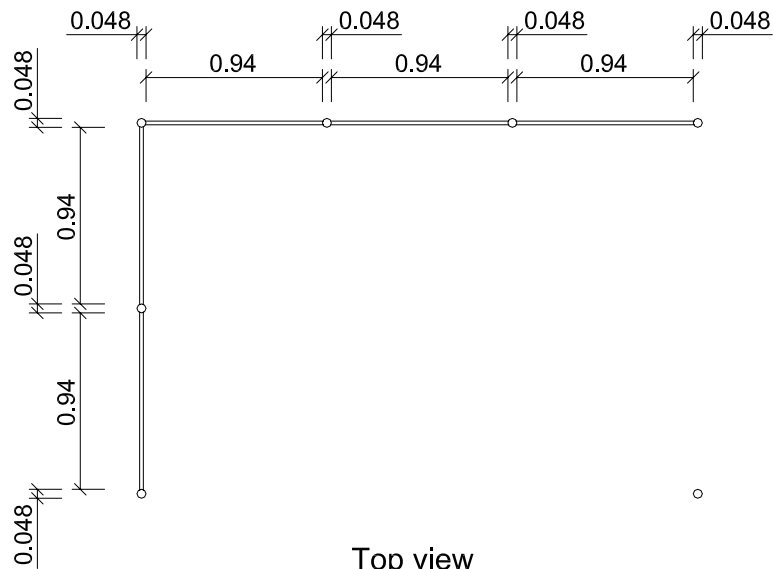
Faculty of Engineering
 University of Porto
 Civil Engineering Department
 R. Dr. Roberto Frias - 4200-465 Porto
 Phone: (+351) 220 413 703
 Web page: <http://www.fe.up.pt/eurodyn2014>
 e-mail: eurodyn2014@fe.up.pt



Front view



Single pannel



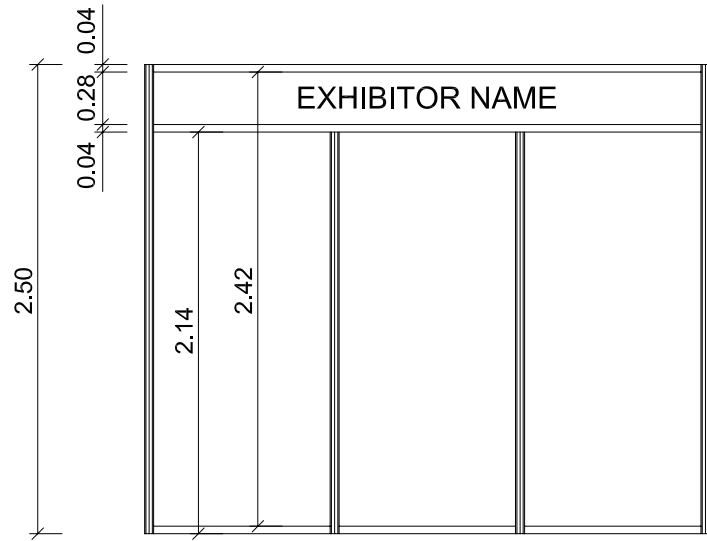
Top view

L shaped booth

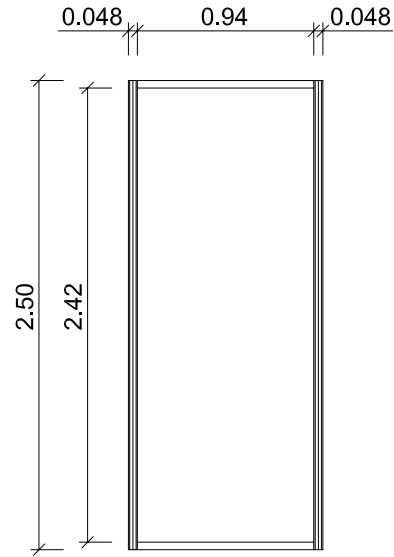
(booths nº 1,2,3,6,7,10,11,14,15 can be L shaped)
units [m]

EURODYN·2014

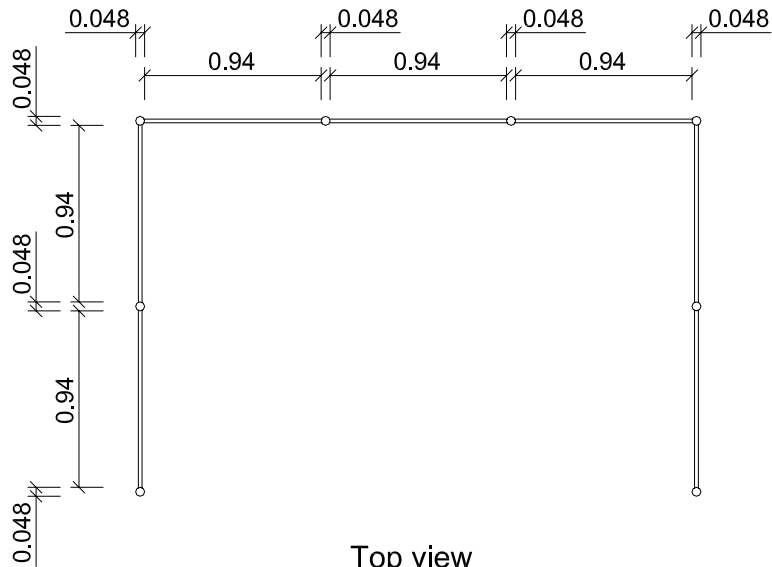
Faculty of Engineering
University of Porto
Civil Engineering Department
R. Dr. Roberto Frias - 4200-465 Porto
Phone: (+351) 220 413 703
Web page: <http://www.fe.up.pt/eurodyn2014>
e-mail: eurodyn2014@fe.up.pt



Front view



Single pannel



Top view

U shaped booth

(all booths can be U shaped)

units [m]

EURODYN·2014

Faculty of Engineering
 University of Porto
 Civil Engineering Department
 R. Dr. Roberto Frias - 4200-465 Porto
 Phone: (+351) 220 413 703
 Web page: <http://www.fe.up.pt/eurodyn2014>
 e-mail: eurodyn2014@fe.up.pt